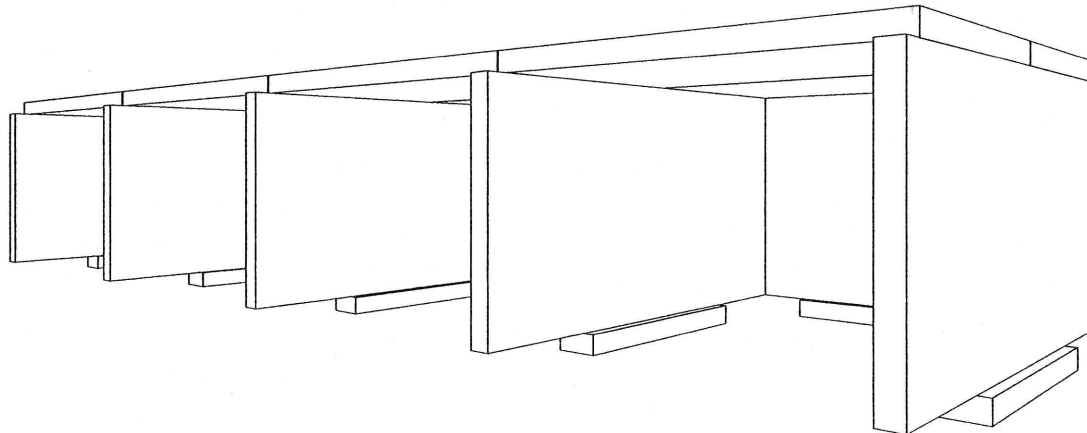


## 4 STALL LOAFING SHED



Easily Expandable



Drawn by:



Jeff Johnson  
Architectural  
March 26, 2002

CONTACT:



1500 County Road 259  
Rifle, Colorado 81650  
(970) 989-5176