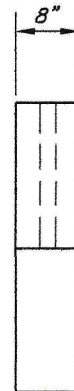
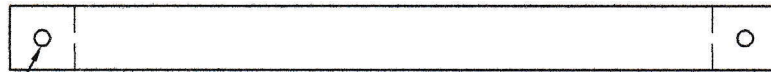


ELEVATION



SECTION



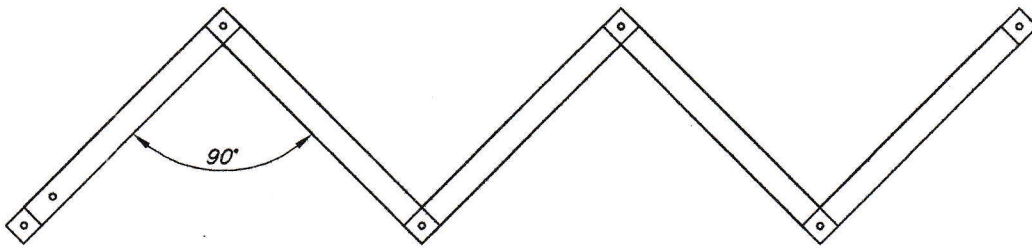
2"Ø HOLE

PLAN

APPROXIMATE WEIGHT  
 = 2200 LBS.

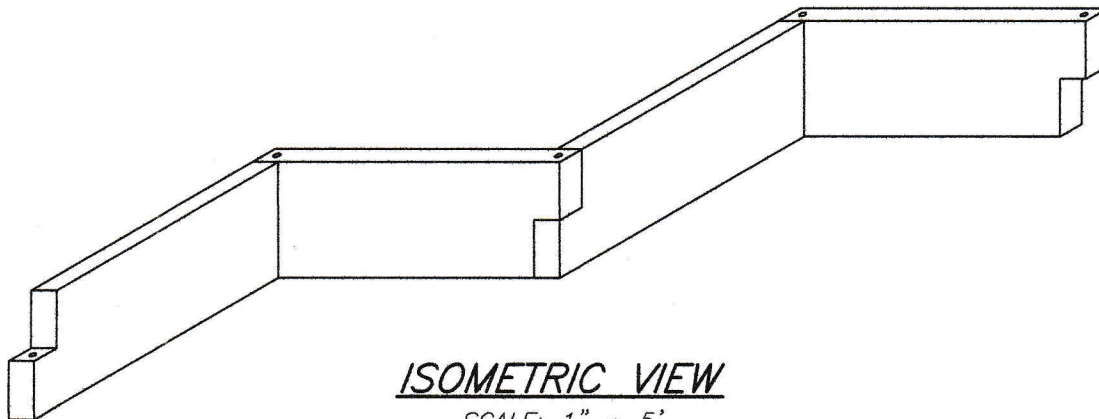
"T" WALL DETAIL

SCALE: 1" = 2'



PLAN VIEW

SCALE: 1" = 5'



ISOMETRIC VIEW

SCALE: 1" = 5'