

About Us

Star Pre-cast Concrete is a family operated business located in Parachute, CO. We manufacture concrete products, and carry a large inventory of concrete items ranging from reinforced barrier walls, structure walls for all types of applications, paving stones, benches, retaining walls and an array of other concrete items.

If you would like more information on any of products please visit our website, call, or stop by.



Retaining Wall



Contact us for information.

970-989-5176

168 Mosher Ave.
Parachute, CO

precast7@aol.com



CALL US TODAY!
970-989-5176

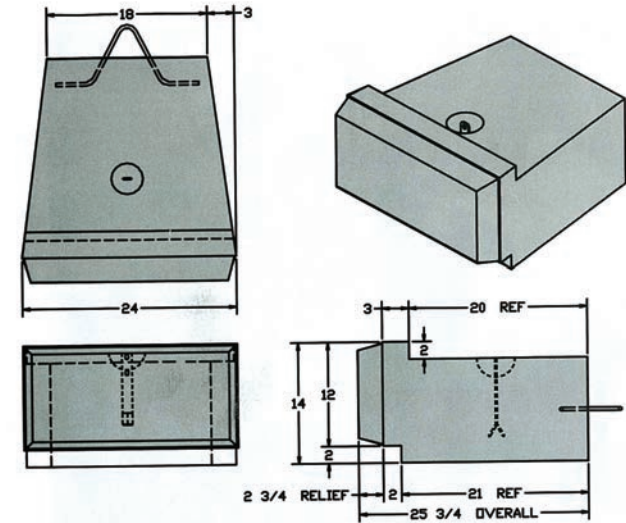
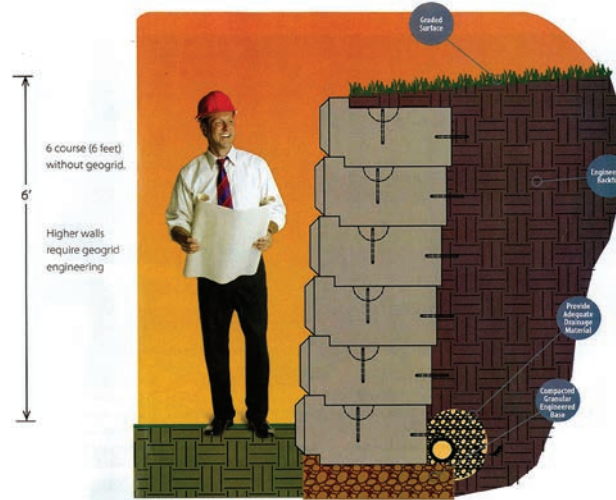
www.starprecast.com
www.worldblock.com

PRODUCTS

Landscaping Block Walls

Our Landscaping block walls are available in many different styles. Pick the style that best suites you.

Full blocks are 1 H'x2' W-26" Deep. Blocks weigh 560lbs. Half blocks are 1'H x 1' W x 26" Deep. Block weighs 280 lbs.



What we do

We are able to provide a vast array of items due to our special mold department. We have a large consumer population ranging from the general public buying for their landscaping needs, general contractors needing building materials, architects and engineers who need detailed architectural decorative pieces, and service providers who use concrete products because of the structural integrity and durability.

New innovative products are constantly being added to our product line. Expanding on our success in creating pre-cast concrete items, we are leaders in the development of recycled glass products being cast into decorative pieces with concrete derivatives.